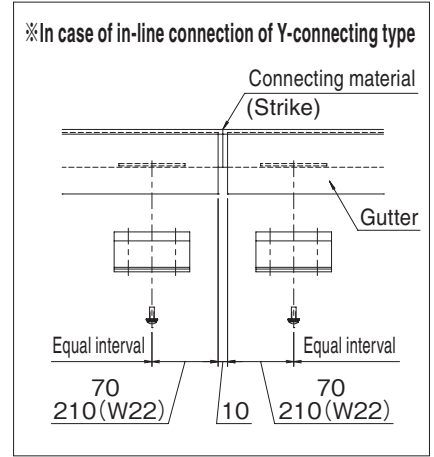
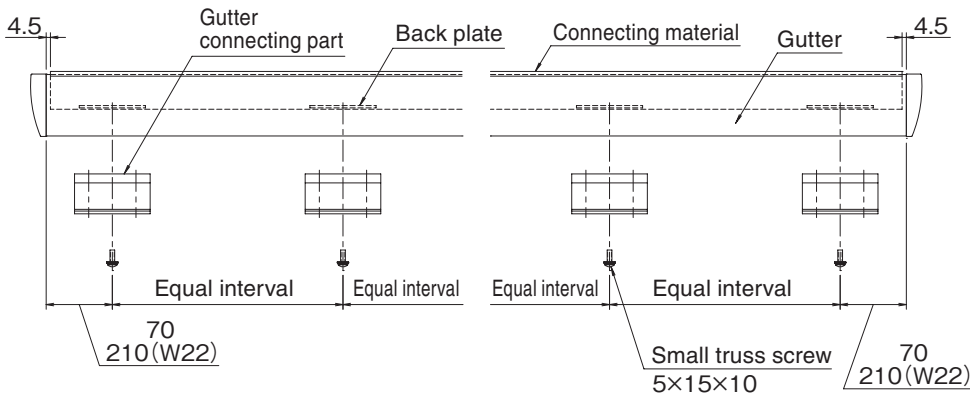
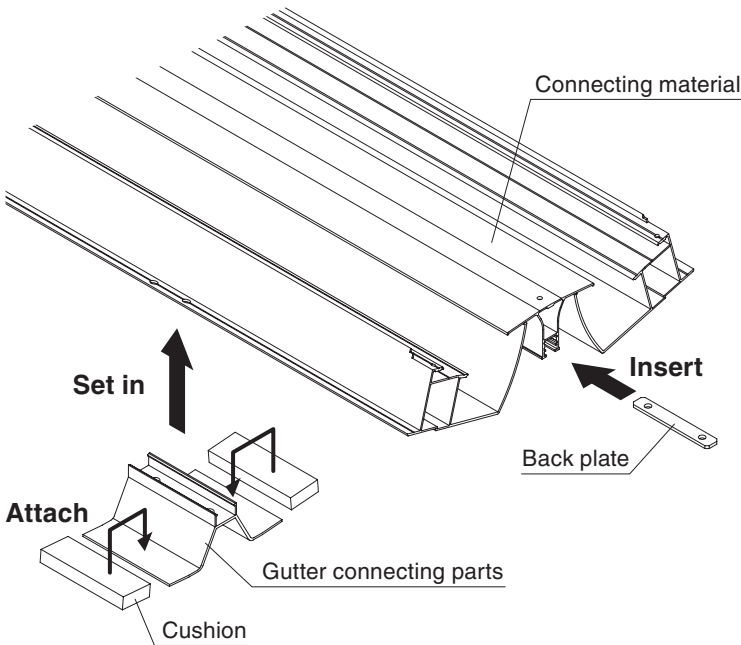


3 Attach the gutter connecting parts

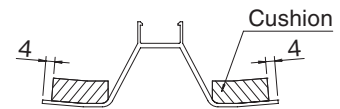
■ Attach the gutter connecting parts



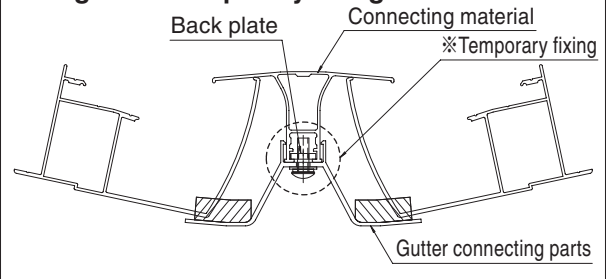
- ① Insert the back plate into the connecting material
- ② Attach the cushion on the gutter connecting parts (see figure A).
- ③ Hold the connecting material from upside and set in the gutter connecting parts to the connecting material.
 - ※ The gutter connecting parts can be hooked to the connecting material temporarily by pushing up (see figure B).
 - ※ Position the back plate at equal interval and set in the gutter connecting parts.



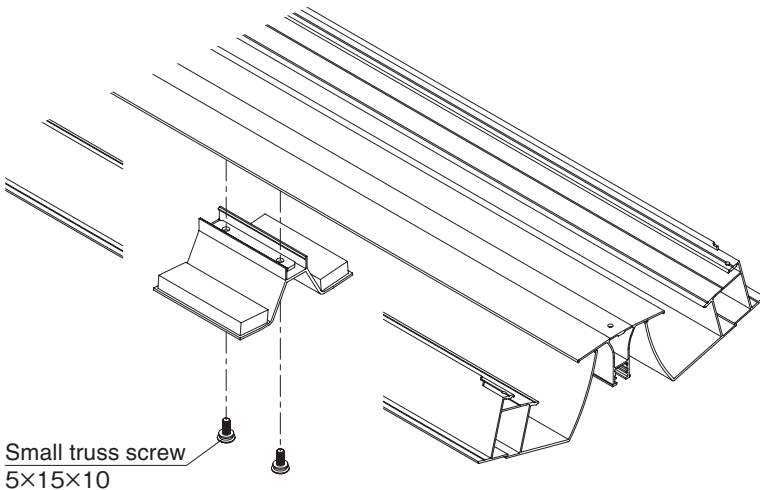
■ Figure A: attaching the cushion



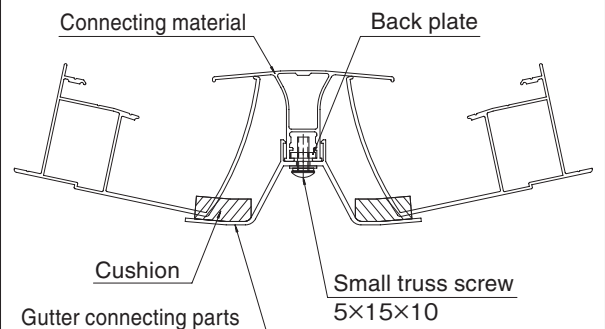
■ Figure B: temporary fixing



- ④ Fix the gutter connecting parts to the back plate inserted into the connecting material with small truss screw 5×15×10.



■ Section figure



4 Attaching the connecting cap

- ① Insert the connecting cap to connecting material and fix with drilling screw 4×10×8.
- ② Do silicon work to the touching part.

